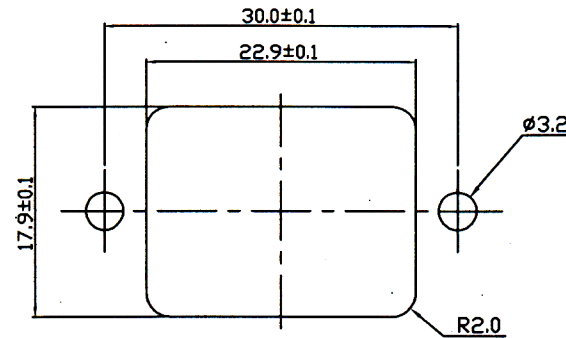
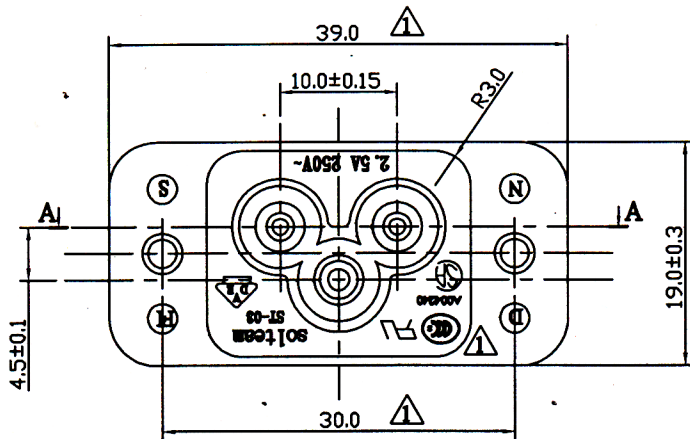


NO	PART NAME	MATERIAL	QTY
1	Base	Nylon 66(94V-0)	1
2	Insert Pin	Nickle Plated Brass	3
3	Terminal	Tin Plated Brass	3

崧騰企業股份有限公司

SOLTEAM ELECTRONICS CO.,LTD.

△					核准 APPROVED BY	李碩	日期 DATE	050129	投影法 PROJECT		單位 DIMENSION UNIT	mm
△	050129	MODIFY DRAWING" ϕ " \rightarrow " \rightarrow ",ADD MARK "3C" 39 \pm 0.2 \rightarrow 39 \pm 0.5,30 \pm 0.2 \rightarrow 30 \pm 0.5	A1	徐鮮英	校對 CHECKED BY	李碩	日期 DATE	050129	比例 SCALE	2:1	機型 PART NAME	INLET SOCKET
NO.	DATE	REVISION DESCRIPTION	ISSUE	REVISE	APPROVED	繪圖 DRAWN BY	徐鮮英	日期 DATE	040414	路徑 DWG NO	型號 PART NO	ST-03U-BVAAS



PANEL CIRCUIT

SPECIFICATION

CONTACT RATING : 2.5A 250V~

APPROVAL:	CSA	CERTIFICATE NO.:	LR77849
	UL	CERTIFICATE NO.:	E200241
	DEMKO	CERTIFICATE NO.:	98-04265
	SEMKO	CERTIFICATE NO.:	9918212/01
	NEMKO	CERTIFICATE NO.:	P99101233
	VDE	CERTIFICATE NO.:	127182
	FIMKO	CERTIFICATE NO.:	FI 13133

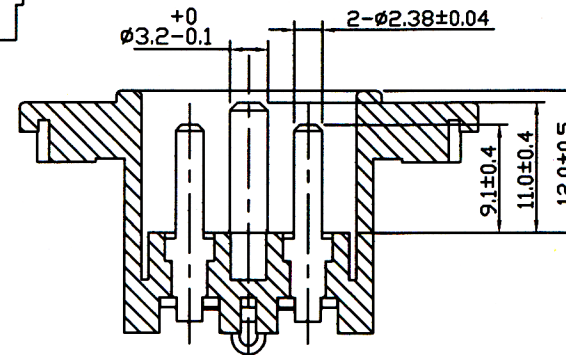
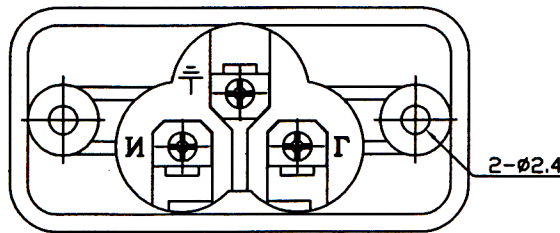
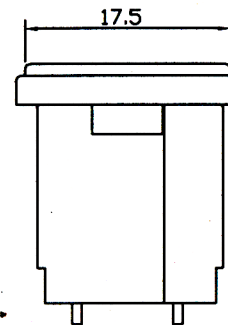
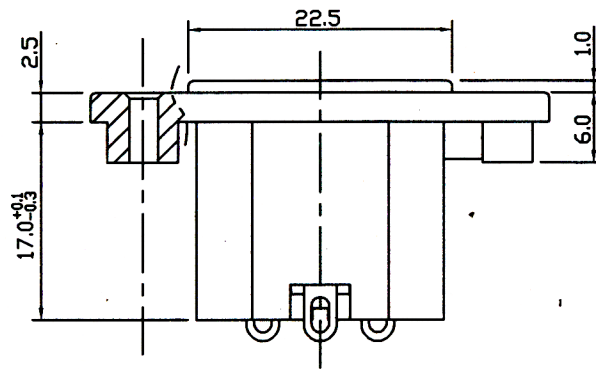
INITIAL CONTACT RESISTANCE: 30mΩ (MAX)

INITIAL INSULATION RESISTANCE: 100MΩ (MIN) 500 VDC

INITIAL WITHSTAND VOLTAGE:

PLEASE REFERENCE TEST SPECIFICATION-3.3

MATERIAL USED MUST BE COMPLY WITH BQI-0555 .



A-A SECTION

TOLERANCES UNLESS OTHERWISE 未指定者許差尺寸之公差	
BASIC DIMENSIONS TOLERANCES	
UP TO 10 (10 以下)	±0.3
ABOVE 10 TO 100(10-100)	±0.5
ABOVE 100 (100 以上)	±0.8
ANGULAR DIMENSIONS(角度)	±5°

崧騰企業股份有限公司

SOLTEAM ELECTRONICS CO.,LTD.

核准 APPROVED BY	李碩	日期 DATE	050129	投影法 PROJECT		單位 DIMENSION UNIT	mm
校對 CHECKED BY	李碩	日期 DATE	050129	比例 SCALE	1.5:1	機型 PART NAME	INLET SOCKET
繪圖 DRAWN BY	徐鮮英	日期 DATE	040414	路徑 DWG NO	RAW:8181ST03U	型號 PART NO	ST-03U-BVAAS
NO.	DATE	REVISION DESCRIPTION	ISSUE	REVISE	APPROVED		