

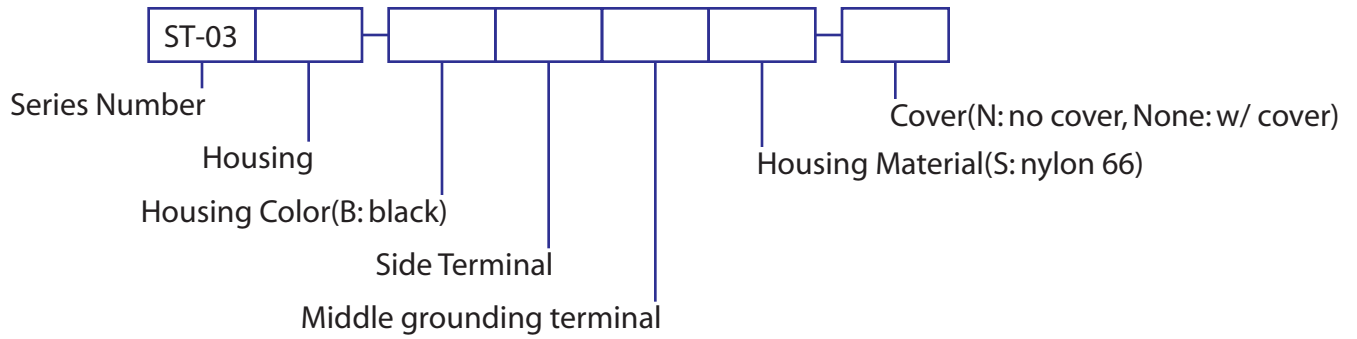
SPECIFICATION

Contact Rating: 2.5A/250VAC (CSA, UL, N, S, D, FI, VDE, 3C)
 Insulation Resistance: 100MΩ (min) 500VDC
 Dielectric Strength: 2000VAC/1 minute

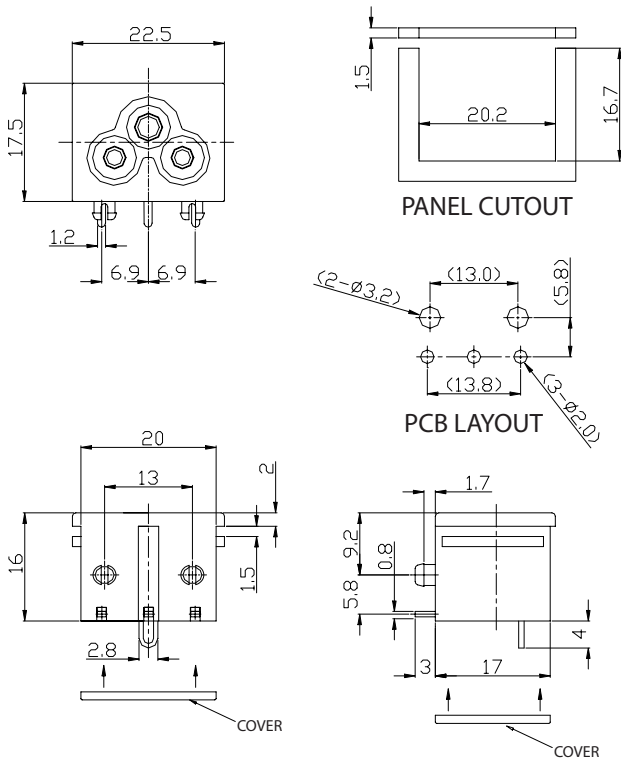
SERIES NUMBER: ST-03(F, K, L)

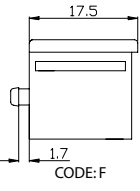
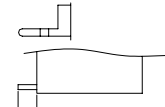
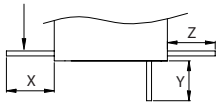
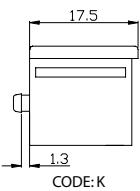
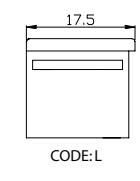
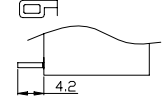
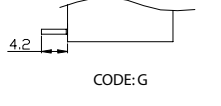


PART NUMBERING SYSTEM



DIMENSIONS(mm)



HOUSING	SIDE TERMINAL	MIDDLE GROUNDING TERMINAL																																
 <p>17.5 1.7 CODE: F</p>	 <p>X</p>	 <p>X: 1.5mm PC pin Y and Z: solder lug</p>																																
 <p>17.5 1.3 CODE: K</p>	<table border="1"> <thead> <tr> <th>CODE</th> <th>A</th> <th>P</th> <th>M</th> </tr> </thead> <tbody> <tr> <td>X</td> <td>3.0</td> <td>3.5</td> <td>3.7</td> </tr> </tbody> </table>	CODE	A	P	M	X	3.0	3.5	3.7	<table border="1"> <thead> <tr> <th>CODE</th> <th>N</th> <th>T</th> <th>J</th> <th>K</th> <th>B</th> </tr> </thead> <tbody> <tr> <td>X</td> <td>3.75</td> <td>3.7</td> <td>3.2</td> <td>3.0</td> <td>3.0</td> </tr> <tr> <td>Y</td> <td></td> <td></td> <td>4.0</td> <td></td> <td></td> </tr> <tr> <td>Z</td> <td></td> <td></td> <td></td> <td>3.0</td> <td></td> </tr> </tbody> </table>	CODE	N	T	J	K	B	X	3.75	3.7	3.2	3.0	3.0	Y			4.0			Z				3.0	
CODE	A	P	M																															
X	3.0	3.5	3.7																															
CODE	N	T	J	K	B																													
X	3.75	3.7	3.2	3.0	3.0																													
Y			4.0																															
Z				3.0																														
 <p>17.5 CODE: L</p>	 <p>4.2 CODE: D</p>	 <p>4.2 CODE: G</p>																																