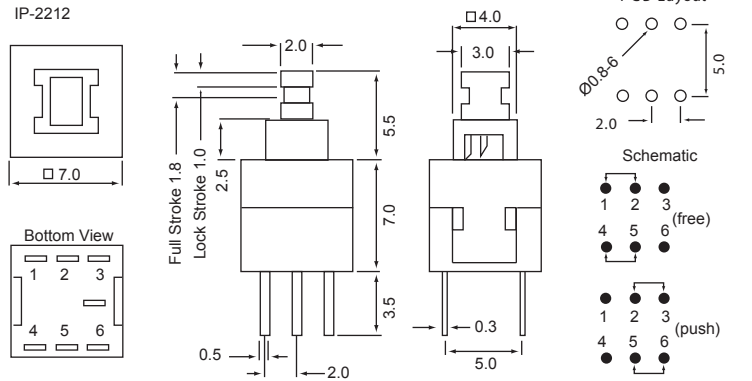
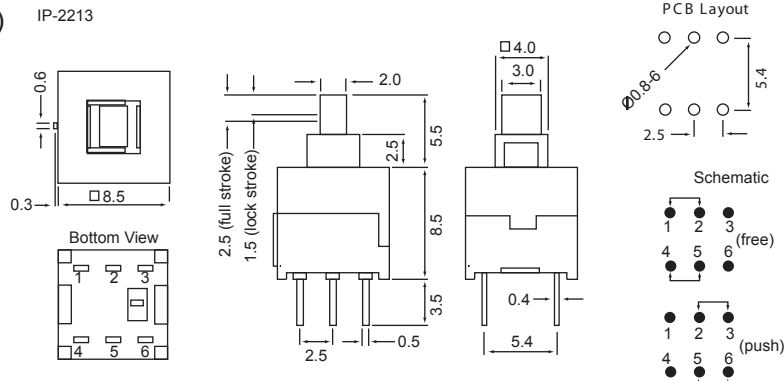


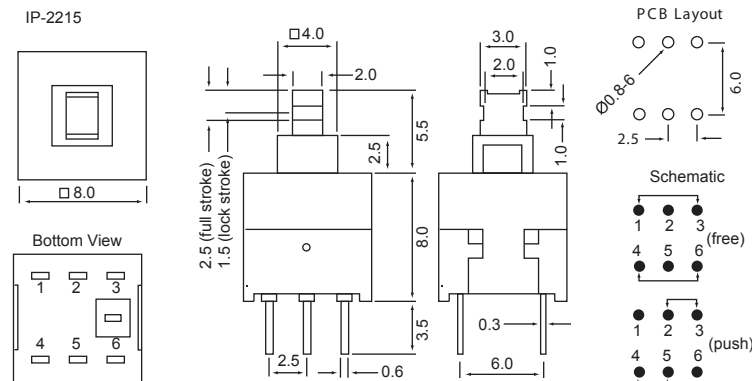
Part Number: IP-2212S (self-lock); IP-2212N (non-lock)
 Contact Rating: 0.1A/30VDC
 Contact Resistance: 70mΩ (max.) 1A/5VDC
 Insulation Resistance: 100MΩ (min.) - 500VDC
 Withstand Voltage: 500VAC - 1 minute
 Circuit: 2C-2P
 Timing: non-shorting
 Stroke: full 1.8mm; lock 1mm
 Operation Force: 200+/-80gf
 Life: 10,000
 RoHS Compliant: yes



Part Number: IP-2213S (self-lock); IP-2213N (non-lock)
 Contact Rating: 0.1A/30VDC
 Contact Resistance: 70mΩ (max.) 1A/5VDC
 Insulation Resistance: 100MΩ (min.) - 500VDC
 Withstand Voltage: 500VAC - 1 minute
 Circuit: 2C-2P
 Timing: non-shorting
 Stroke: full 2.5mm; lock 1.5mm
 Operation Force: 200+/-80gf
 Life: 10,000
 RoHS Compliant: yes



Part Number: IP-2215S (self-lock); IP-2215N (non-lock)
 Contact Rating: 0.1A/30VDC
 Contact Resistance: 70mΩ (max.) 1A/5VDC
 Insulation Resistance: 100MΩ (min.) - 500VDC
 Withstand Voltage: 500VAC - 1 minute
 Circuit: 2C-2P
 Timing: non-shorting
 Stroke: full 2.5mm; lock 1.5mm
 Operation Force: 200+/-80gf
 Life: 10,000
 RoHS Compliant: yes



Part Number: IP-2216S (self-lock); IP-2216N (non-lock)
 Contact Rating: 0.1A/30VDC
 Contact Resistance: 70mΩ (max.) 1A/5VDC
 Insulation Resistance: 100MΩ (min.) - 500VDC
 Withstand Voltage: 500VAC - 1 minute
 Circuit: 2C-2P
 Timing: non-shorting
 Stroke: full 1.8mm; lock 1mm
 Operation Force: 150+/-80gf
 Life: 10,000
 RoHS Compliant: yes

