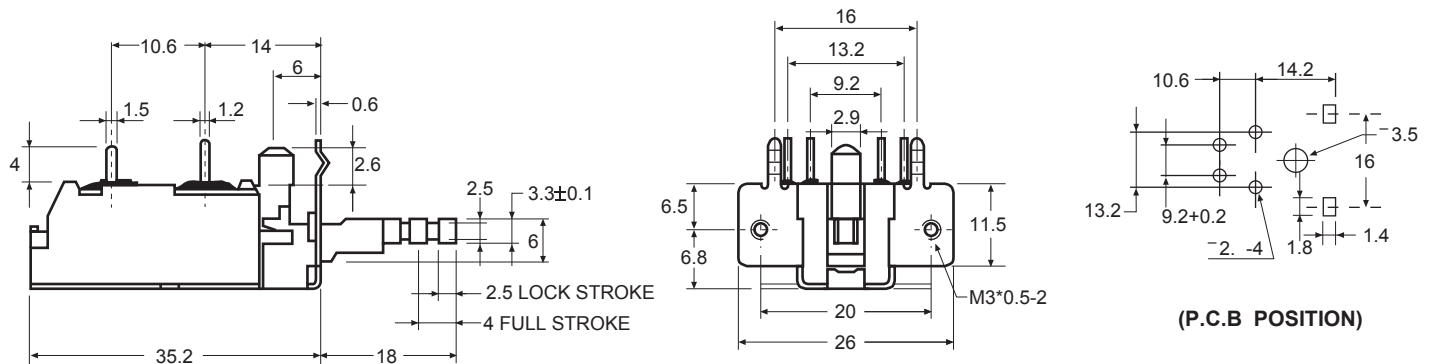


SPECIFICATION

Inrush Current: this switch is capable to withstand 128A peak
 □ □ inrush current at 250VAC for 4ms duration
 Contact Rating: 8A 250VAC, TV-8 120VAC (UL, CSA)
 □ □ 4A/128A 250V~μT85 (VDE, S, D, N, Fi)
 Initial Contact Resistance: 20mΩ (max.)
 Insulation Resistance: 500MΩ (min.) - 500VDC
 Withstand Voltage: 2000VAC-1 minute (terminal to terminal)
 □ □ □ 3800VAC-1 minute (terminal to cover)
 Operation Force: 350+/-150g (S.P.), 450+/-150g (D.P.)
 Life: 25,000
 Ambient Temperature: 0-85C
 Approval: UL (E148157), CSA (77849), VDE (88990),
 □ SEMKO (9749130/01), DEMKO (307252),
 □ NEMKO (P97102853), SETI (198237-01)
 RoHS Compliant: yes
 Manufacture: Solteam

MATERIAL

Actuator: PBT
 Base: phenolic
 Top Cover: nickel plated iron
 Terminal: tin plated copper
 Spring Plate: phosphor bronze
 Movable Contact Arm: silver plated phosphor bronze
 Support: silver plated phosphor bronze
 Contact: silver plated copper alloy
 Spring: stainless steel wire
 Fixed Framework: iron
 Actuator Locking Tip: nickel plated spring steel

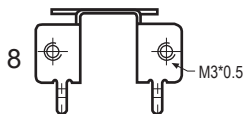
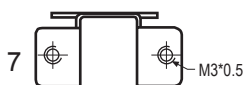


PART NUMBERING FORMAT

PS-5 [Terminal] [Bracket] [Pole] [Opion] □ □ Ex: PS-5-P8AV

Terminal
 W: solder
 P: PCB pin

Bracket



Pole
 A: 2 poles
 B: 1 pole

Terminal

V: terminal sealed (2 poles)
 Z: terminal sealed (1 pole)
 None: no