

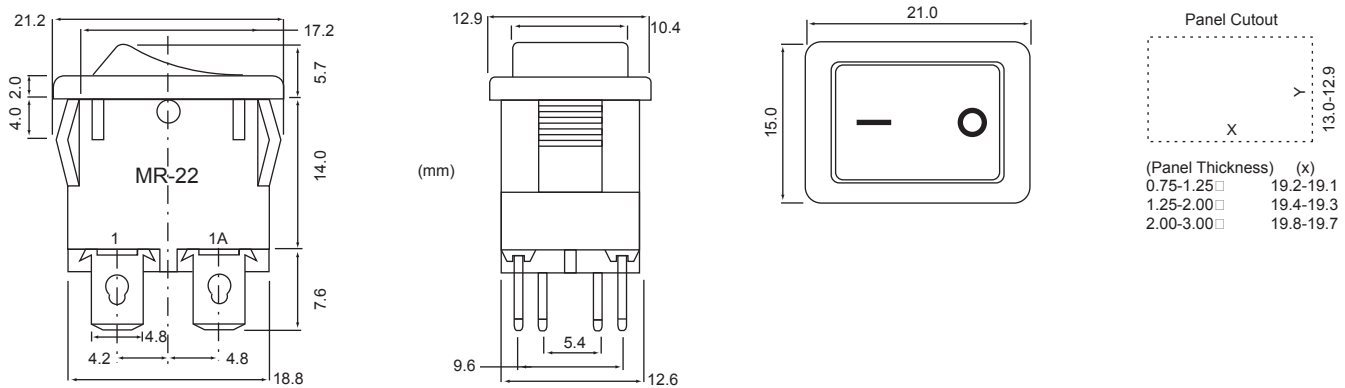
MR22 ROCKER SWITCH

SPECIFICATIONS

Rating: 12A 125/250VAC (UL, CSA);
 8A/100A 250V~T85 1E4;
 12(4)A 250V~T85 1E4 (VDE, S, D, N, FI)
 Contact Resistance: 20 milli-ohms max. initial
 Insulation Resistance: 500 mega-ohms min. 500VDC
 Dielectric Strength: 2,000VAC-1 minute (terminal to terminal);
 3,800VAC-1 minute (terminal to frame)
 Life Cycle: Over 10,000
 Operation Force: 650+/-200g
 Safety Standard: UL(E148157), CSA(LR77849-25),
 DEMKO(98-04264), SEMKO(9933093),
 NEMKO(P99101699), FI(FI13724), VDE(123314)
 RoHS Compliant: Yes
 Manufacture: Solteam

MATERIALS

Actuator: Nylon 66
 Base: Nylon 66
 Stationary Contact: Silver plated copper alloy
 Movable Contact: Silver plated copper alloy
 Contact Arm: Silver plated copper
 Plunger: Brass
 Spring: Stainless steel wire
 Stationary Contact Terminal: Silver plated copper
 Movable Center Terminal: Silver plated copper



PART NUMBERING FORMAT

MR-22- [Function] [Marking] [Housing Color] [Actuator Color] - [Terminal] [Housing] *Ex: MR-22-N2BB-F2*

Function	Marking	Housing Color	Actuator Color	Terminal	Housing
N: On-Off (D.P.)	1: None	B: Black	B: Black	F: Faston	2: y=2.0
F: On-Off (S.P.)	2: -- O	W: White	W: White	K: PC pin	3: y=7.6
	3: I O	H: Gray	H: Gray	L: Solder	
	4: Dot		R: Red		

