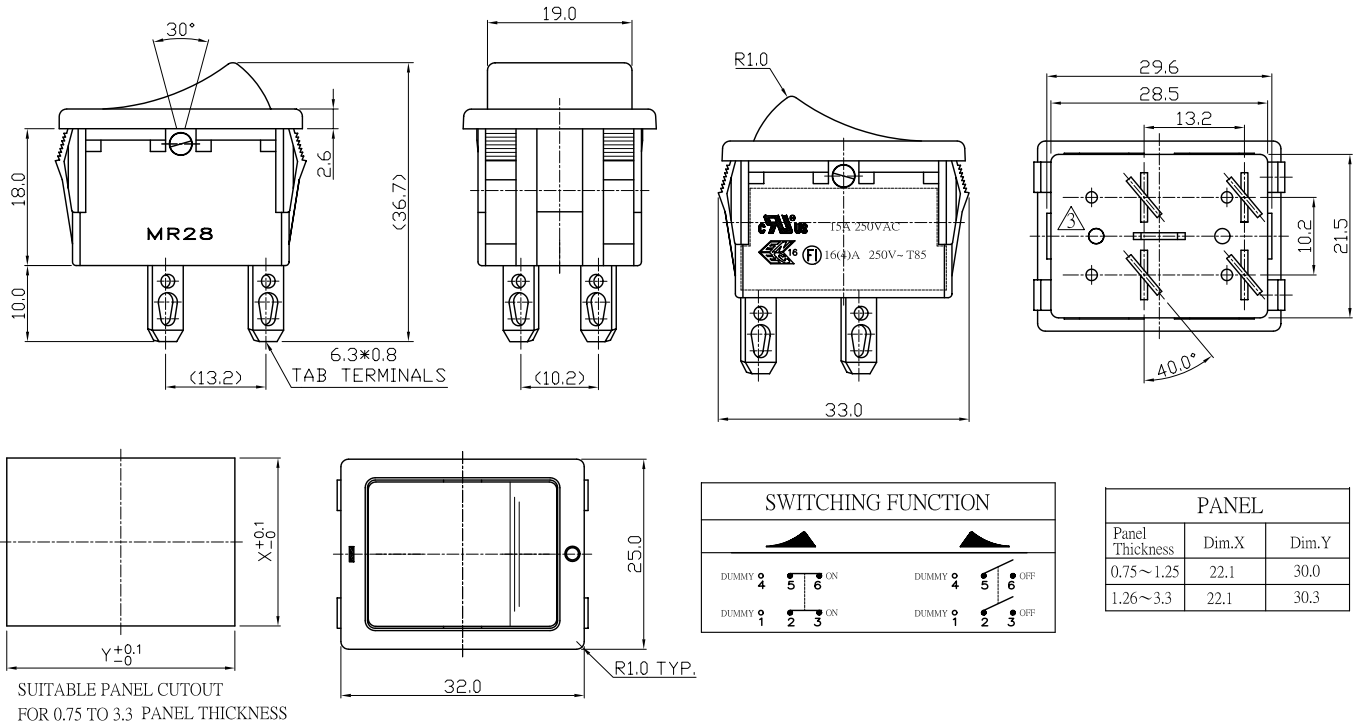


SPECIFICATION

Contact Rating: 16(4)A 250VAC T85(ENEC); 15A 250VAC(cUL)
 Initial Contact Resistance: 20 milli-ohms max
 Insulation Resistance: 100 mega-ohms min. 500VDC
 Dielectric Strength: 2000VAC - 1 minute
 Electric Life: 10,000
 Operation Force: 800+/-300g
 Safety Standard Approval: UL, CSA, ENEC
 RoHS Compliant: yes



PART NUMBERING FORMAT

MR28 - [Function] [Marking] [Housing Color] [Actuator Color] - [Terminal] [Actuator] Ex: MR28-B1BB-1R

Function	Marking	Housing Color	Actuator Color	Terminal	Actuator
B: on-off	1: none 2: -- O 3: I O	B: black	B: black W: white H: gray R: red	1: 6.4mm plug-in	R: single rocker