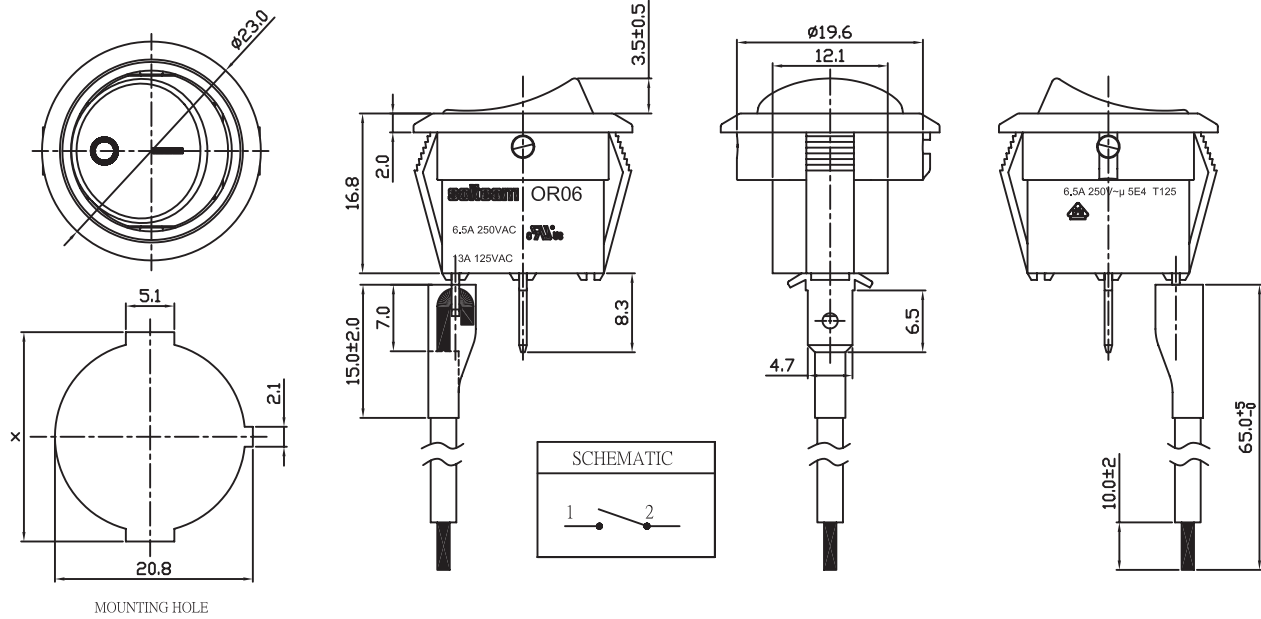


**SPECIFICATION**

Rating: 6.5A/13A 250V/125V (UL&C-UL)  
 □ 6.5A 250V~μ5E4 T125 (VDE)  
 Contact Resistance: 20 milli-ohms (max.) at initial  
 Insulation Resistance: 500 mega-ohms (min.) at 500VDC  
 Withstand Voltage: 1500VAC for 1 minute (terminal to terminal)  
 Life Cycle: 50,000  
 Operation Force: 600+/-250g  
 Approval: E148157  
 RoHS Compliant: Yes

**MATERIAL**

Actuator: nylon 66  
 Housing: nylon 66  
 Spring: stainless steel wire  
 Plunger: nickel plated brass  
 Movable Contact: silver plated copper  
 Contact: silver alloy  
 Contact Terminal: silver plated copper  
 Stationary Contact Terminal: silver plated copper  
 Wire: UL1015 AWG18  
 Tube: UL125C VW-1



**PART NUMBERING FORMAT**

OR06 - [Function] [Marking] [Actuator Color] [Marking Color] - [Housing Color] [Side Terminal] [Middle Terminal] [Light Bulb] □ Ex: OR06-N2LB-BWF1-11

Function	Marking	Actuator Color	Marking Color
N: on-off (no light)	1: no marking	B: black	B: black
L: on-off (lighted)	2: -- o	R: red	R: red
	3: dot	L: light gray	W: white

Housing Color	Side Terminal	Middle Terminal	Light Bulb (resistor value)
B: black	W: solder lug	W: solder lug	1: no light
	F: 4.7mm plug-in	F: 4.7mm plug-in	2: 125VAC (47K)
			3: 250VAC (150K)