

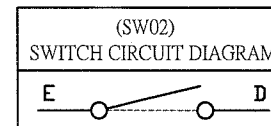
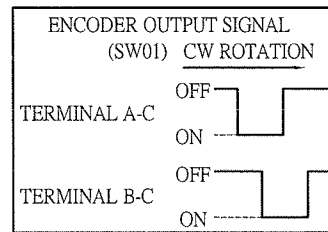
Solteam
 R&D DEPT. ISSUE
APR.03.2006
 ONLY FOR
 REFERENCE

P.C.B. THICKNESS $t=1.6\text{mm}$

P.W.B. Mounting detail

A slant line part shows the solder land
 Black part: Do not solder and no wiring
 for electrical contact

NOTE: MATERIAL USED MUST BE COMPLY WITH BQI-0555.



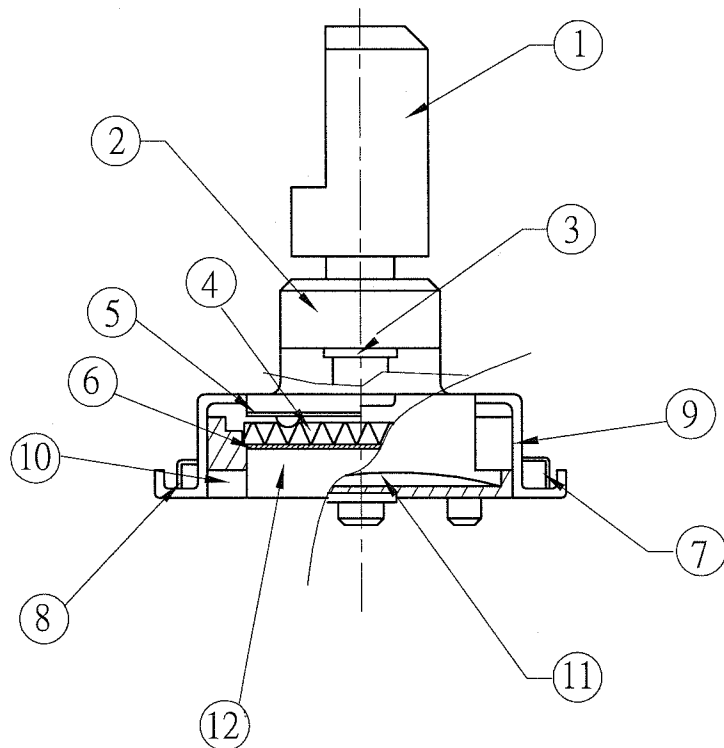
PRODUCT NO.	LT	T	Fc	ϕ_s
SM11CT-V1DD-1A0	16.0	1.0	4.5	$\phi 6.0$

TOLERANCES UNLESS OTHERWISE 未指定容許差尺寸之公差	
BASIC DIMENSIONS TOLERANCES	
UP TO 10 (10 以下)	± 0.3
ABOVE 10 TO 100 (10-100)	± 0.5
ABOVE 100 (100 以上)	± 0.8
ANGULAR DIMENSIONS (角隅)	$\pm 5^\circ$

崧騰企業股份有限公司 SOLTEAM ELECTRONICS CO.,LTD

NO.	DATE	REVISION DESCRIPTION	ISSUE	REVISE	APPROVED	核准 APPROVED BY	日期 DATE	投影法 PROJECT	單位 DIMENSION UNIT	機型 PART NAME
						黃積宏	060403	第一角法	mm	ROTARY ENCODER
						徐利芸	060403	比例 SCALE	3.6:1	型號 PART NO
						黃慧玲	060403	路徑 DWG NO	E:\成品圖\SM11V	SM11CT-V1DD-1A0

Material List of Rotational Encoder Model :SM11 SERIES



NO	PART NAME	MATERIAL
1	Shaft	Aluminum Alloy
2	Bushing	Zn Alloy
3	Clamping Ring	Piano Wire
4	Wheeling Plate	PA46
5	Pulsated Piece	Phosphor Bronze
6	Contact	Silver Plated Phosphor Bronze
7	Terminals of Basic Plate	Silver Plated Phosphor Bronze
8	Terminals of Switch Base	Silver Plated Brass
9	Basic Plate	PA46
10	Switch Base	PA46
11	Spring Piece	Silver Plated Phosphor Bronze
12	Fixed Framework	Tin Plated Iron

Solteam
 R&D DEPT. ISSUE
APR.03.2006
 ONLY FOR
 REFERENCE

崧騰企業股份有限公司 SOLTEAM ELECTRONICS CO.,LTD

△3						核准	黃積宏	日期	060403	投影法	⊕ □	單位	DIMENSION UNIT mm	
△2						校對	徐利芸	日期	060407	比例	3:1	機型	ROTARY ENCODER	
△1						繪圖	黃慧玲	日期	060403	路徑	E:\成品圖\SM11\	型號	SM11CT-V1DD-1A0	
NO.	DATE	REVISION DESCRIPTION	ISSUE	REVISE	APPROVED	DRAWN BY		DATE		DWG NO		PART NO		