

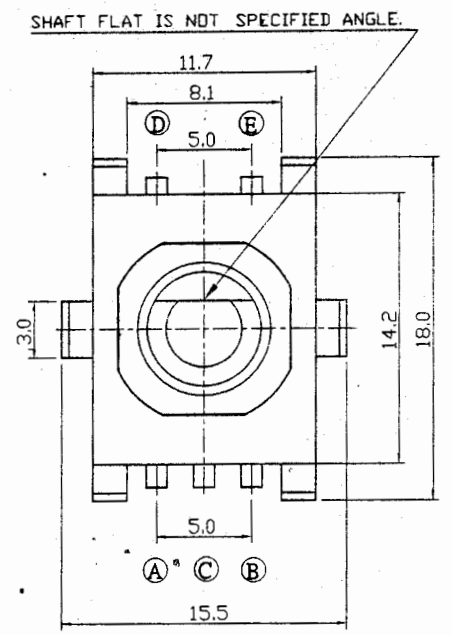
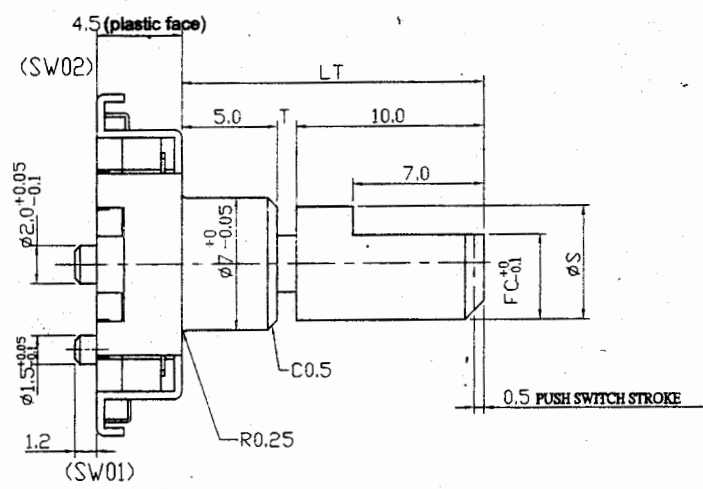
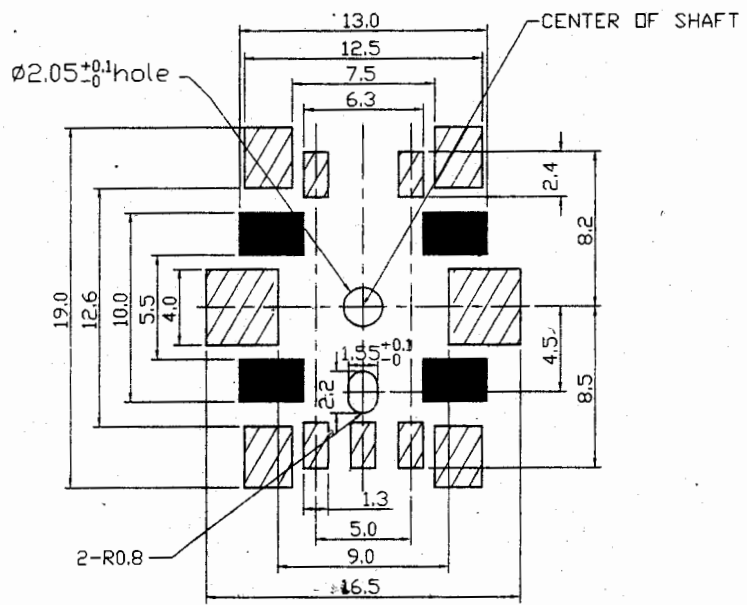
Material List of Rotational Encoder Model :SM11 SERIES

NO	PART NAME	MATERIAL
1	Shaft	Brass Alloy
2	Bushing	Zn Alloy
3	Clamping Ring	Piano Wire
4	Wheeling Plate	PA46
5	Pulsated Piece	Phosphor Bronze
6	Contact	Silver Plated Phosphor Bronze
7	Terminals of Basic Plate	Silver Plated Phosphor Bronze
8	Terminals of Switch Base	Silver Plated Brass
9	Basic Plate	PA46
10	Switch Base	PA46
11	Spring Piece	Silver Plated Phosphor Bronze
12	Fixed Framework	Tin Plated Iron

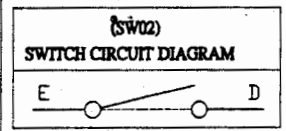
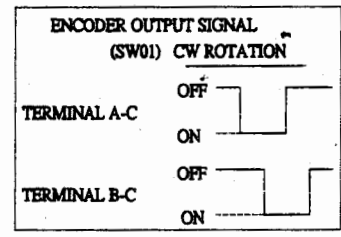
△



SOLTEAM ELECTRONICS CO.,LTD												
△						APPROVED BY	DATE	060808	PROJECTION	⊕	DIMENSION UNIT	mm
△						CHECKED BY	DATE	060808	SCALE	3.6:1	PART NAME	ROTARY ENCODER
△	060828	Modify Material :Aluminum Alloy=>Brass Alloy	A2			DRAWN BY	DATE	060213	ERP NO.	5501-0910-0004	PART NO.	SM11CT-VIDF-3A0
NO.	DATE	REVISION DESCRIPTION	ISSUE	REVISE	APPROVED							



P.C.B. THICKNESS t=1.6mm
 P.W.B. Mounting detail
 A slant line part shows the solder land
 Black part: Do not solder and no wiring for electrical contact
 Note: Material Used; Be Comply With BQI-0555.



PRODUCT NO.	LT	T	Fc	φS
SM11CT-V1DF-3A0	16.0	1.0	2.5	φ3.5

TOLERANCES UNLESS OTHERWISE	
BASIC DIMENSIONS TOLERANCES	
UP TO 10	±0.3
ABOVE 10 TO 100	±0.5
ABOVE 100	±0.8
ANGULAR DIMENSIONS	±5°

SOLTEAM ELECTRONICS CO.,LTD

4					APPROVED BY	DATE	060828	PROJECTION		DIMENSION UNIT mm	
3					CHECKED BY	DATE	7-7-06	SCALE	3.6:1	PART NAME	ROTARY ENCODER
2	060828	Modify Material: Aluminium Alloy->Brass Alloy	A2		DRAWN BY	DATE	060213	ERP NO.	5501-0910-0004	PART NO.	SM11CT-V1DF-3A0
NO.	DATE	REVISION DESCRIPTION	ISSUE	REVISE	APPROVED						