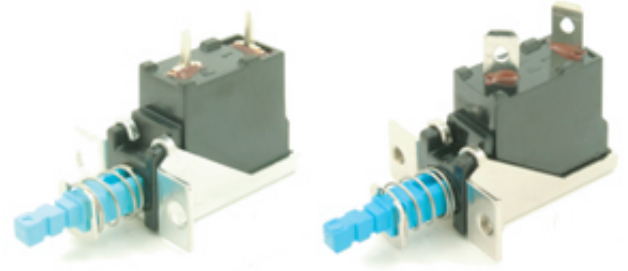


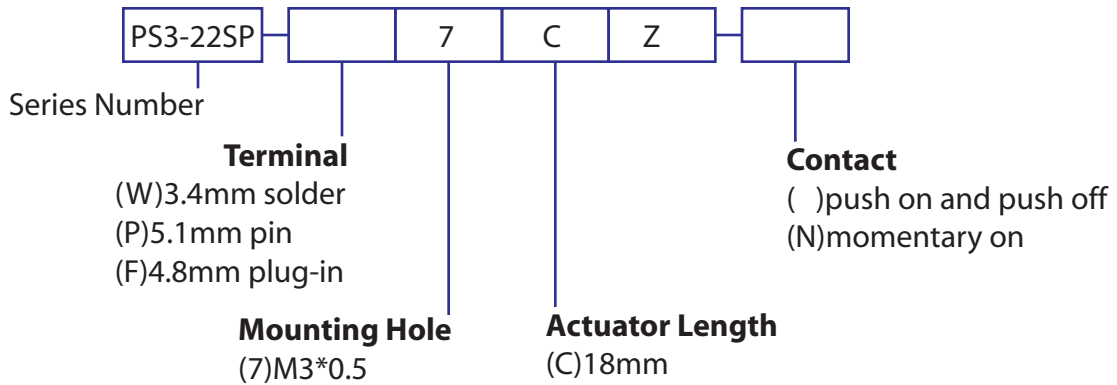
SPECIFICATION

SERIES NUMBER: PS3-22SP

Contact Rating: 10A/250VAC TV-8 120VAC
 8A/128A 250V~μT85
 Inrush Current: 128A/125VAC 4ms
 Contact Resistance: 100mΩ (max) at initial
 Insulation Resistance: 500MΩ (min) 500VDC
 Dielectric Strength: 2000VAC/1 minute
 Electrical Life: 25000 cycles
 Operation Force: 500+/-200g



PART NUMBERING SYSTEM



DIMENSIONS(mm)

