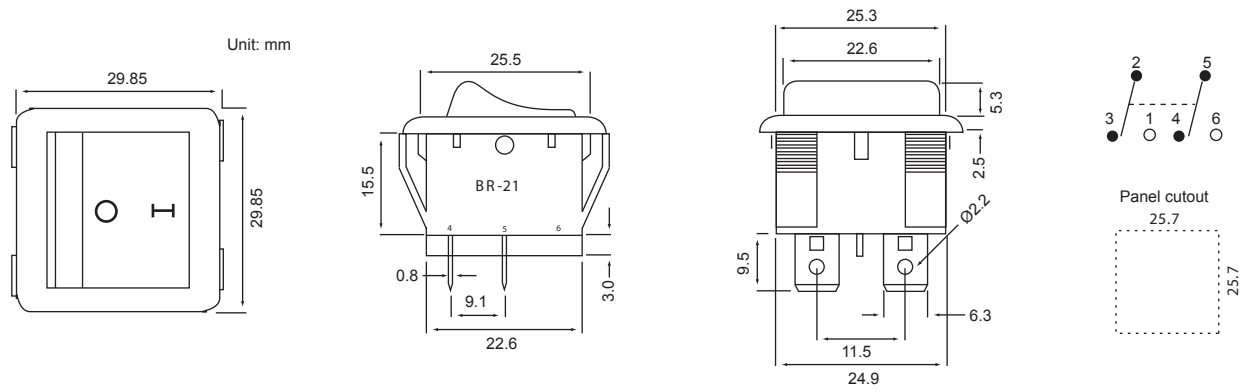


SPECIFICATION

Circuit: DPST
 Rating: 15A 125VAC, 10A 250VAC
 Dielectric Strength: 2,000VAC for 1 minute (terminal to terminal)
 Contact Resistance: 50 milliohms max. at initial
 Insulation Resistance: 500 megaohms min. at 500VDC
 Mechanical Life: 6,000
 Operating Force: 600+/-100g
 Safety Standard Approval: CSA (77849), UL (E148157S)
 RoHS Compliant: yes

MATERIAL

Rocker: nylon 66
 Case: nylon 66
 Stationary Contact: silver plated copper alloy
 Movable Contact: silver plated copper alloy
 Contact Arm: tin plated copper
 Plunger: brass
 Spring: stainless steel wire
 Stationary Contact Terminal: tin plated copper
 Movable Center Terminal: tin plated copper



PART NUMBERING FORMAT

BR-21- [Marking] [Housing Color] [Actuator Color] Ex: BR-21-BBB

Marking	Housing Color	Actuator Color
A: none	B: black	B: black
B: - o	W: white	W: white
	H: gray	H: gray
	R: red	R: red