

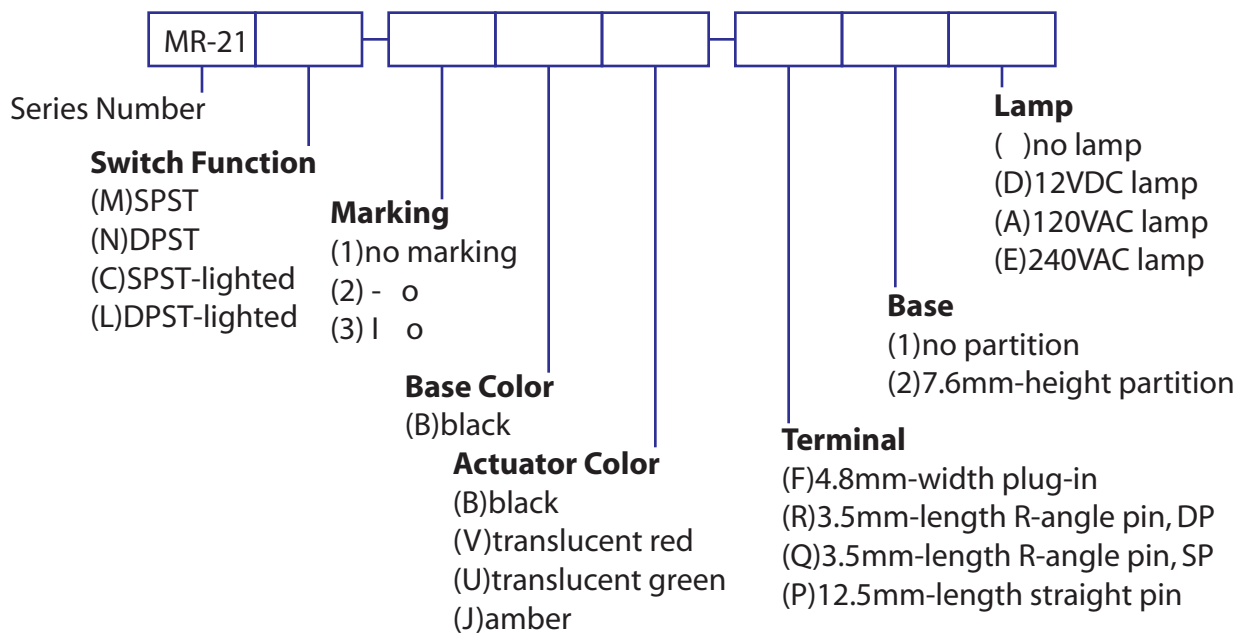
SPECIFICATION

Contact Rating: 10A/125VAC 5A/250VAC
 10A/125VAC 7A/250VAC
 6A/250VAC~μT85
 Contact Resistance: 100mΩ (max) at initial
 Insulation Resistance: 500MΩ (min) 500VDC
 Dielectric Strength: 2000VAC/1 minute
 Electrical Life: 10000 cycles
 Operation Force: 900+/-300g

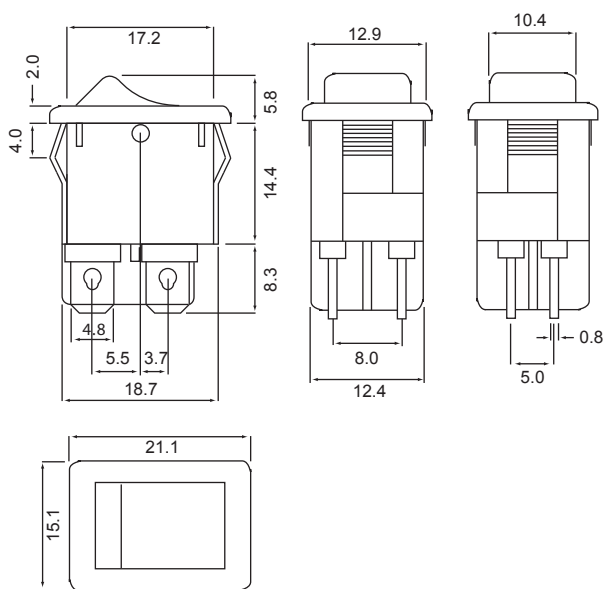
SERIES NUMBER: MR-21



PART NUMBERING SYSTEM



DIMENSIONS(mm)



MOUNTING HOLE	PANEL DIMENSIONS		
	Thickness	Side x	Side y
	0.75-1.25	19.2-19.1	13.0-12.9
	1.25-2.00	19.4-19.3	13.0-12.9
	2.00-3.00	19.8-19.7	13.0-12.9

