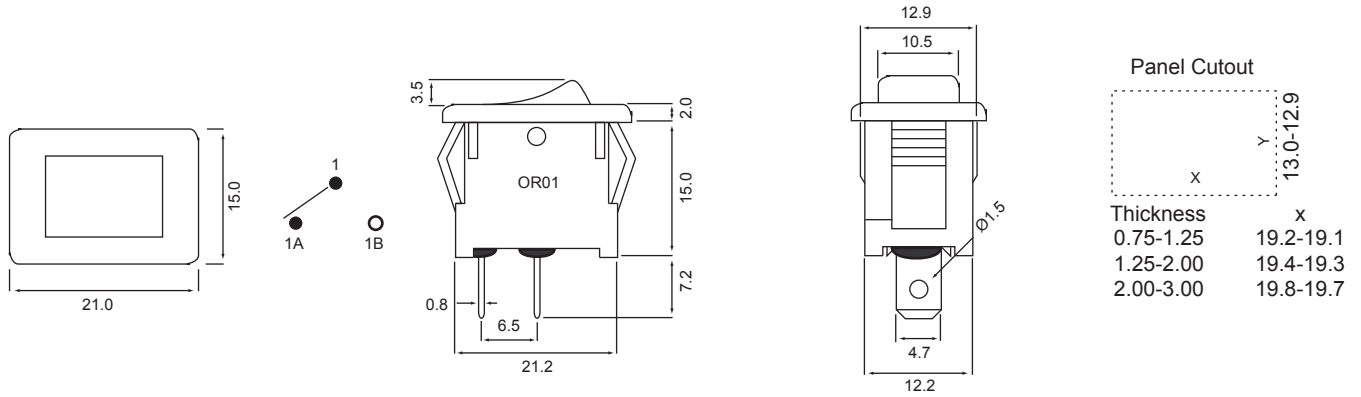


**SPECIFICATION**

Circuit: SPST  
 Rating: □ 3(3)A 250VAC T85/55 5E4 (ENEC)  
 □ 6A 250VAC (C-UL&UL)  
 □ 10A 125VAC (C-UL&UL)  
 Dielectric Strength: 1,500VAC-1minute (terminal to terminal)  
 Contact Resistance: 50 milliohm max. at initial  
 Insulation Resistance: 500 megaohms min. 500VDC  
 Life Cycle: 50,000  
 Operating Force: 600+/-250g  
 Approval: KEMA (2023128.01), UL (E148157)  
 RoHS Compliant: yes

**MATERIAL**

Actuator: nylon 66  
 Housing: nylon 66  
 Contact: silver alloy  
 Movable Contact: tin plated copper  
 Actuator Tips: brass  
 Spring: SWC  
 Stationary Contact Terminal: silver plated copper  
 Center Terminal: silver plated copper  
 Dust Boot: PVC  
 Seal: epoxy resin



**PART NUMBERING FORMAT**

OR01 - [Function] [Terminal] [Marking] - [Housing Color] [Actuator Color] □ Ex OR01-11B-BR

Function	Terminal	Marking	Housing Color	Actuator Color
1: on-off	1: 4.7mm plug-in	A: none B: - o	B: black	B: black R: red