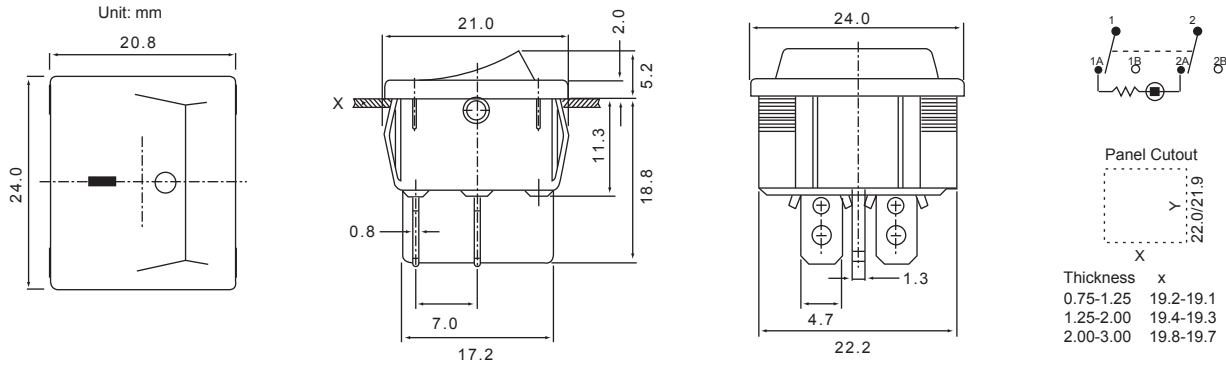


SPECIFICATION

Circuitry: DPST, DPDT
 Power Rating: 10A 250VAC, 6A 250VAC (CSA,UL)
 □ 6A 250VAC~1E4, 6A/100A 250VAC~m6E3 (D,S,N,FI)
 Initial Resistance: 50 milli-ohms max
 Insulation Resistance: 100 mega-ohms min. at 500VDC
 Dielectric Strength: 2,500VAC for 1 minute (terminal to terminal)
 Electrical Life: 10,000
 Operating Force: 800+/-200g
 Safety Standard Approval: UL, CSA, VDE, S, D, N, Fi
 RoHS Compliant: Yes

MATERIAL

Actuator: PC
 Housing: PA66
 Contact Point: AgCdo
 Contact Plate: Silver plated copper
 Actuator Tips: Brass
 Spring: Steel wire
 Terminal: Tin plated copper
 Lamp: Neon
 Supported Rack: Nylon 66



PART NUMBERING FORMAT

OR-2 [Function] - [Terminal] [Marking] [Actuator Color] [Housing Color] Ex: OR-22-A2R3B1

Function	Terminal	Marking	Actuator Color	Housing Color
1: On-Off (D.P.)	A: 4.7mm QC	1: None	B1: Black	B1: Black
2: On-Off (D.P., lamp)		2: -- O	W1: White	W1: White
3: On-Off (S.P.)		3: O	R1: Red	R1: Red
6: On-On (D.P.)		4: White dot	H1: Gray	H1: Gray
		8: On Off	R3: Red (lamp)	
		G3: Green (lamp)		
		Y3: Yellow (lamp)		
		D3: Amber (lamp)		