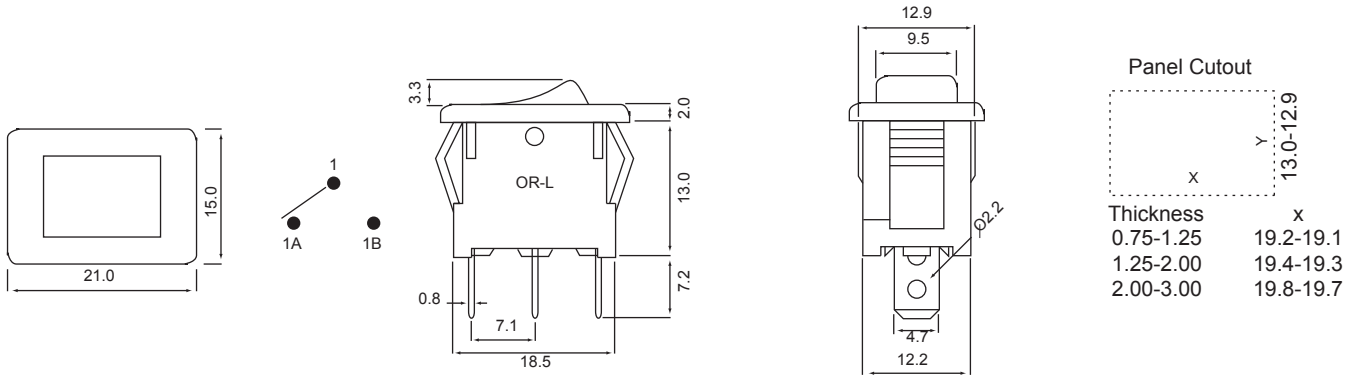


SPECIFICATION

Circuit: SPST, SPDT
 Rating: 10A 125VAC 6A 250VAC (CSA, UL)
 6A 250VAC T85/55 (DEMKO, FIMKO, NEMKO, SEMKO, VDE)
 Dielectric Strength: 1,800VAC-1minute (terminal to terminal)
 Contact Resistance: 50 milli-ohm max.
 Insulation Resistance: 500 mega-ohms min. 500VDC
 Life Cycle: 10,000 cycles
 Operating Force: 400+/-200g
 Safety Standard Approval: CSA, DEMKO, FIMKO, NEMKO, SEMKO, UL, VDE.
 RoHS Compliant: Yes

MATERIAL

Actuator: Nylon 66 type
 Housing: Nylon 66 type
 Contact: Silver plated copper alloy
 Movable Contact: Tin plated copper
 Actuator Tips: Nylon 66 type
 Spring: Piano steel wire
 Stationary Contact Terminal: Tin plated copper
 Center Terminal: Tin plated copper

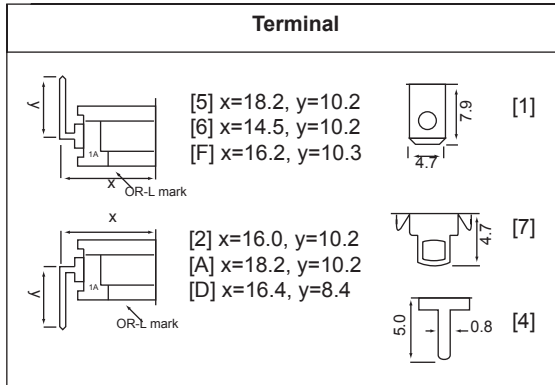


PART NUMBERING FORMAT

OR-L- [Function] [Terminal] [Marking] - [Housing Color] [Actuator Color] Ex: OR-L-31E-BB

Function

- 1: On-Off
 - 2: On-On
 - 3: On-Off-On
 - 4: (On)-Off
- (On) denotes momentary on.



Marking

- A: None
- B: - O
- C: I O
- D: Dot
- E: I O II
- F: I II
- G: ON OFF
- M:

Housing Color

- B: Black
- W: White
- P: Milk white
- F: Buff
- Z: Ivory
- H: Grey
- M: Misty grey
- L: Light grey
- K: Slate grey
- S: Cool grey
- C: Bright grey
- T: Copper grey

Actuator Color

- B: Black
- W: White
- P: Milk white
- F: Buff
- Z: Ivory
- R: Red
- D: Orange
- H: Grey
- M: Misty grey
- L: Light grey
- K: Slate grey
- S: Cool grey
- C: Bright grey
- T: Copper grey