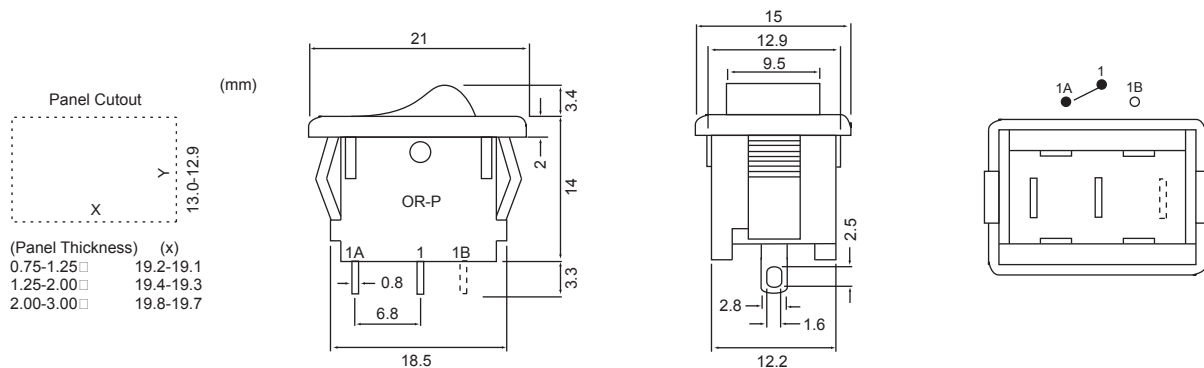


SPECIFICATION

Circuit: SPST, SPDT
 Illumination: LED
 Contact Rating: 6A 250VAC, 10A 125VAC (CSA, UL);
 □ 6A 250VAC~ μT85/55 (DEMKO, FIMKO, NEMKO, SEMKO, VDE)
 Dielectric Strength: 1,800VAC for 1 minute (terminal to terminal)
 Contact Resistance: 50 milli-ohms max.
 Insulation Resistance: 500 mega-ohms min. at 500VDC
 Life Cycle: 10,000
 Operating Force: 400+/-200g
 Safety Standard: CSA, DEMKO, FIMKO, NEMKO, SEMKO, UL, VDE
 RoHS Compliant: Yes

MATERIAL

Actuator and Housing: Nylon 66 type 6110
 Base: Phenolic lamiate
 Contact: Silver plated copper alloy
 Moving Contact: Tin plated copper
 Bead: Stainless steel
 Spring: Piano steel wire
 Termination: Tin plated copper
LED Version
 Lamp: LED
 Len: POM
 Fixed Framework: PBT
 Termination (LED): Phosphor bronze plated

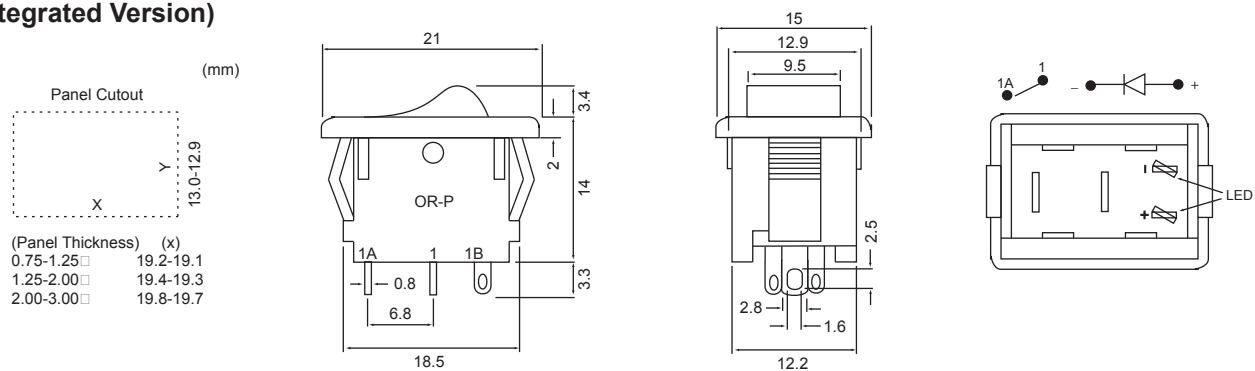


PART NUMBERING FORMAT

OR-P- [Function] 3 [Marking] - [Housing Color] [Actuator Color] Ex: OR-P-43Z-BB

Function	Marking	Housing Color	Actuator Color
1: On-Off	A: None	B: Black	B: Black
2: On-On	B: -- O	W: White	W: White
4: (On)-Off	C: I O	H: Grey	H: Grey
6: (On)-On	D: White dot		R: Red
(On) denotes momentary on	F: I II		G: Green
	8: ON/OFF		

(LED Integrated Version)



PART NUMBERING FORMAT

OR-P- [Function] 3 [Marking] - [Housing Color] [Actuator Color] [LED Color] Ex: OR-P-53A-BBG

Function	Marking	Housing Color	Actuator Color	LED Color
5: On-Off (LED)	A: None	B: Black	B: Black	R: Red
	B: -- O	W: White	W: White	G: Green
	C: I O	H: Grey	H: Grey	H: Bright red
	D: White dot		R: Red	F: Bright green
			G: Green	