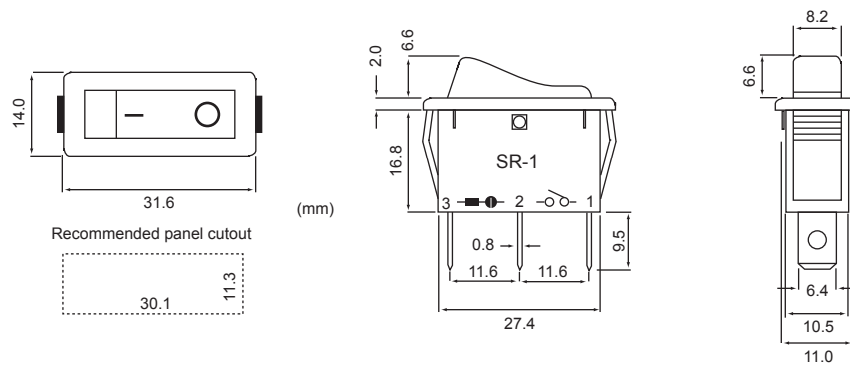


**SPECIFICATION**

Feature: Lighted and inrush current capability  
 Circuit: SPST, SPDT  
 Rating: 12A 250VAC, 16A 125VAC (UL);  
 □ 12A 250VAC, 16A 125VAC 1/4HP (CSA);  
 □ 12A 5A/100A 250VAC ~ μT85/55 □  
 □ (DEMKO, FIMKO, NEMKO, SEMKO, VDE)  
 Dielectric Strength: 1,000VAC for 1 minute (terminal to terminal)  
 Contact Resistance: 20 milli-ohms max.  
 Insulation Resistance: 500 mega-ohms min. at 500VDC  
 Life Cycle: 10,000 cycles  
 Operating Force: 350-750g  
 Inrush Current: 100A peak at 250VAC for 4ms  
 Safety Standard: CSA(LR77849), DEMKO(306849), FIMKO 196624-01),  
 NEMKO(P97101023), SEMKO(9729027), UL(E148157)  
 □ □ and VDE(108362)  
 RoHS Compliant: Yes

**MATERIAL LIST**

Actuator: Nylon 66 □  
 House: Nylon 66  
 Contact: Silver plated copper alloy  
 Terminals: Tin plated copper  
 Movable Contact Arm: Tin plated copper  
 Spring: Spring steel  
 Plunger: Nylon 66



**PART NUMBERING FORMAT**

**SR-1 [Function] - [Marking] [Housing Color] [Actuator Color] - [Lamp] □**

*Ex: SR-1L-2BV-F*

| Function               | Marking   | Housing Color  | Actuator Color  | Lamp (resistor)         |
|------------------------|-----------|----------------|-----------------|-------------------------|
| A: On-On (no lamp)     | 1: None   | B: Black       | B: Black        | D: Incandescent, 12VDC. |
| B: On-Off-On (no lamp) | 2: - O    | W: White       | W: White        | E: Neon (47K)           |
| N: On-Off (no lamp)    | 4: I O    | H: Gray        | H: Gray         | F: Neon (120K)          |
| L: On-Off (lamp)       | 6: No-Off | S: Cool Gray   | S: Cool Gray    |                         |
|                        | 7: -      | K: Slate Gray  | K: Slate Gray   |                         |
|                        | 8: Dot    | T: Copper Gray | T: Copper Gray  |                         |
|                        | 3: Hi Low |                | R: Red          |                         |
|                        | 5: I O II |                | J: Amber (lamp) |                         |
|                        |           |                | V: Red (lamp)   |                         |
|                        |           |                | U: Green (lamp) |                         |