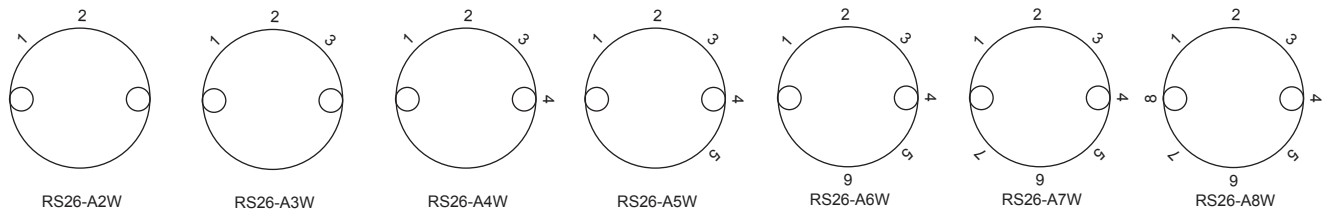
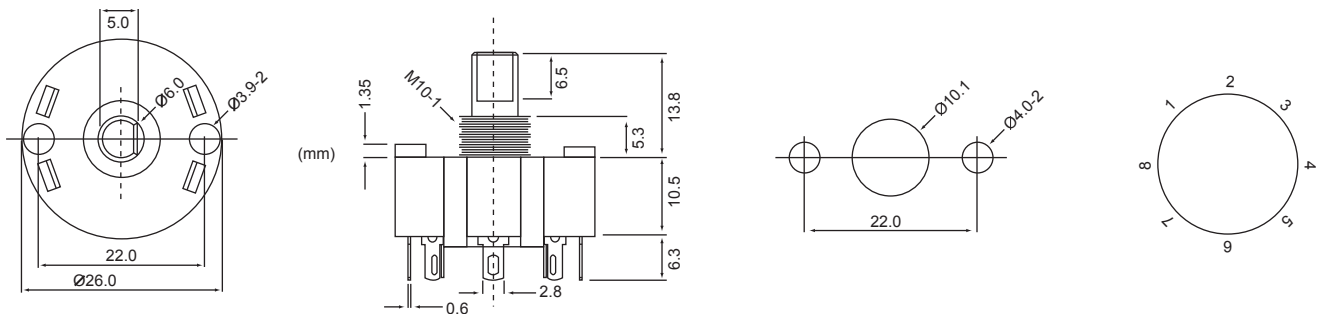


SPECIFICATION

Contact Rating: 0.5A 125VDC; 3A 250VAC, 4A 125VAC
 Initial Contact Resistance: 20 milli-ohms (max.)
 Insulation Resistance: 100 mega-ohms (min.) at 500VDC
 Withstand Voltage: 1500VAC for 1 minute
 Operating Force: 1000+/-200g
 Life Expectancy: 10,000 cycles
 Terminal Strength: 2kg/1minute
 Actuator Strength: 10kg/15s
 Manual Soldering: 350+/-10C 5+/-1s
 Dip Soldering: 260+/-10C 10+/-1s
 Solder Ability: 230+/-5C 5+/-0.5s
 Cold Endurance: -20+/-2C for 96H
 Heat Endurance: 85+/-2C for 96H
 Humidity Endurance: 40+/-2C 90 to 95% RH for 96H
 Packaging: 100 switches per bag
 Weight: 4g
 Approval: UL (E148157)
 RoHS Compliant: Yes

MATERIAL LIST

Shaft: Nylon 66
 Cover: Nylon 66
 Base: Nylon 66
 Moving Contact: Silver plated phosphor bronze
 Terminal: Silver plated copper
 Screw: SPCC



PART NUMBERING FORMAT

RS26- [Shaft Length] [Detent] [Terminal] □ Ex: RS26-A8W

Shaft Length	Detent	Terminal
A: 13.8mm D-shaft.	2: 2 detents	W: Solder
	3: 3 detents	
	4: 4 detents	
	5: 5 detents	
	6: 6 detents	
	7: 7 detents	
	8: 8 detents	